

# TS4 Replacement Instructions

CSA Approved • UL Listed • FM Approved

## Factory Installed Supervisory Switches

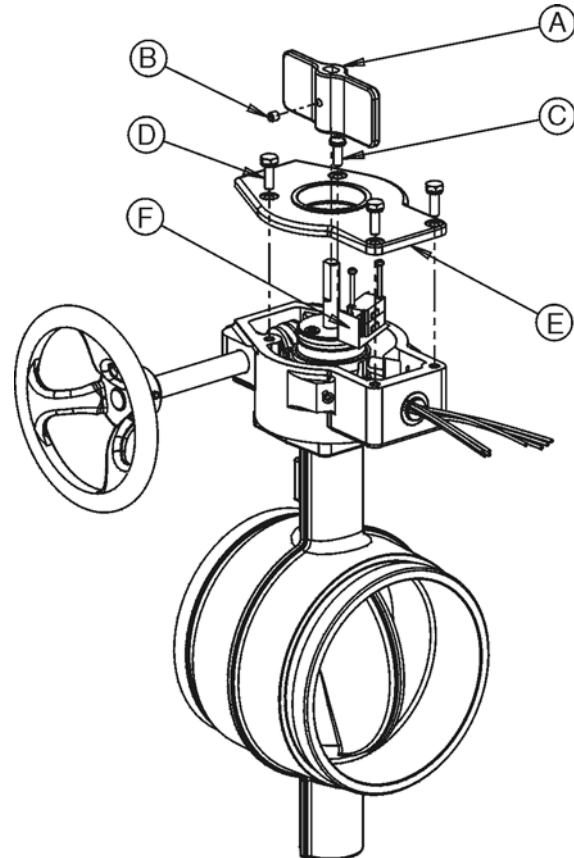
For Figure No. GD-4765-8N/GD-6765-8N Grooved Butterfly Valves and  
WD/LD-3510-8, 2002 and later Wafer/Lug Butterfly Valves

### Tools required:

- 1/8" Allen wrench
- 5/32" Socket Pin Head Wrench (2" - 8")
- 3/16" Socket Pin Head Wrench (10" - 12")
- 9/16" Socket Wrench (2" - 8")
- 3/4" Socket Wrench (10" - 12")
- 3/16" Standard Screwdriver

1. Remove flag (A) by backing out (approximately 2 turns) hex socket set screw (B).
  2. Remove one socket pin head screw (C), three socket head bolts (D) and gear operator cover (E).
  3. Remove two screws holding switch assembly into housing, and one screw holding ground wire to housing and remove switch assembly.
  4. Feed electrical wires of new switch assembly through hole in rear of housing. Put new switch assembly (F) into gear case with actuating arms against quadrant gear. Reinstall hold down screws and ground wire to housing.
- Before installing cover plate, a continuity test should be performed to assure that switches are properly set.
5. Reinstall cover plate. (D)
  6. Reinstall flag. (A)
  7. Use and connection of auxiliary switch to be reviewed and accepted by local authority having jurisdiction.

\*Instructions are same regardless of valve end connections.



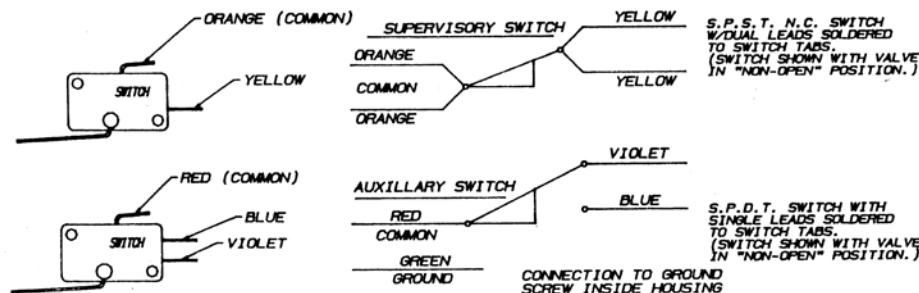
NOTE: Grooved end valve shown for illustration purposes only.

### TS-4 Switch Specifications:

1 - S.P.S.T. / 1 - S.P.D.T.

Rating: 11 amps @ 125 VAC 60 Hz or  
1 amp @ 28 VDC non-inductive.

Wiring: All lead wires are 18 AWG, 18 inches long and exit actuator housing through a single hole designed for 1/2" conduit fittings.



NOTE: Gear boxes are NOT explosion proof.

